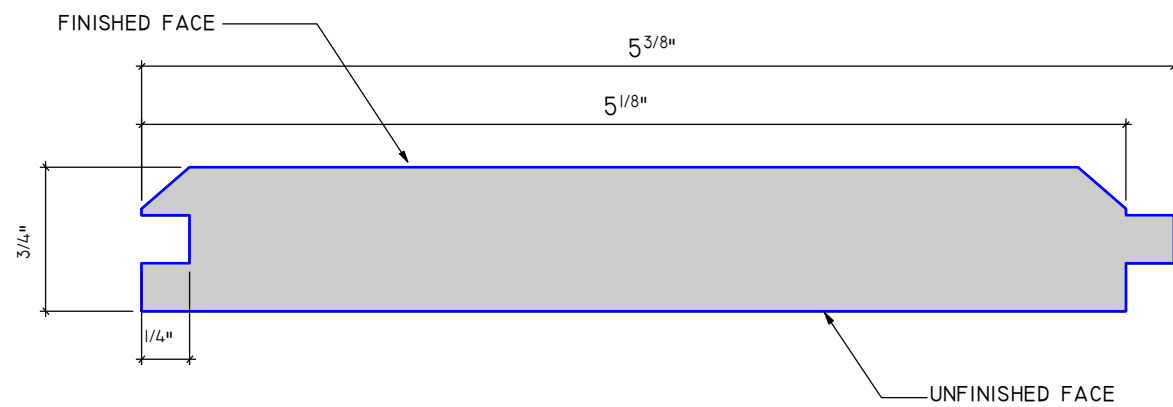
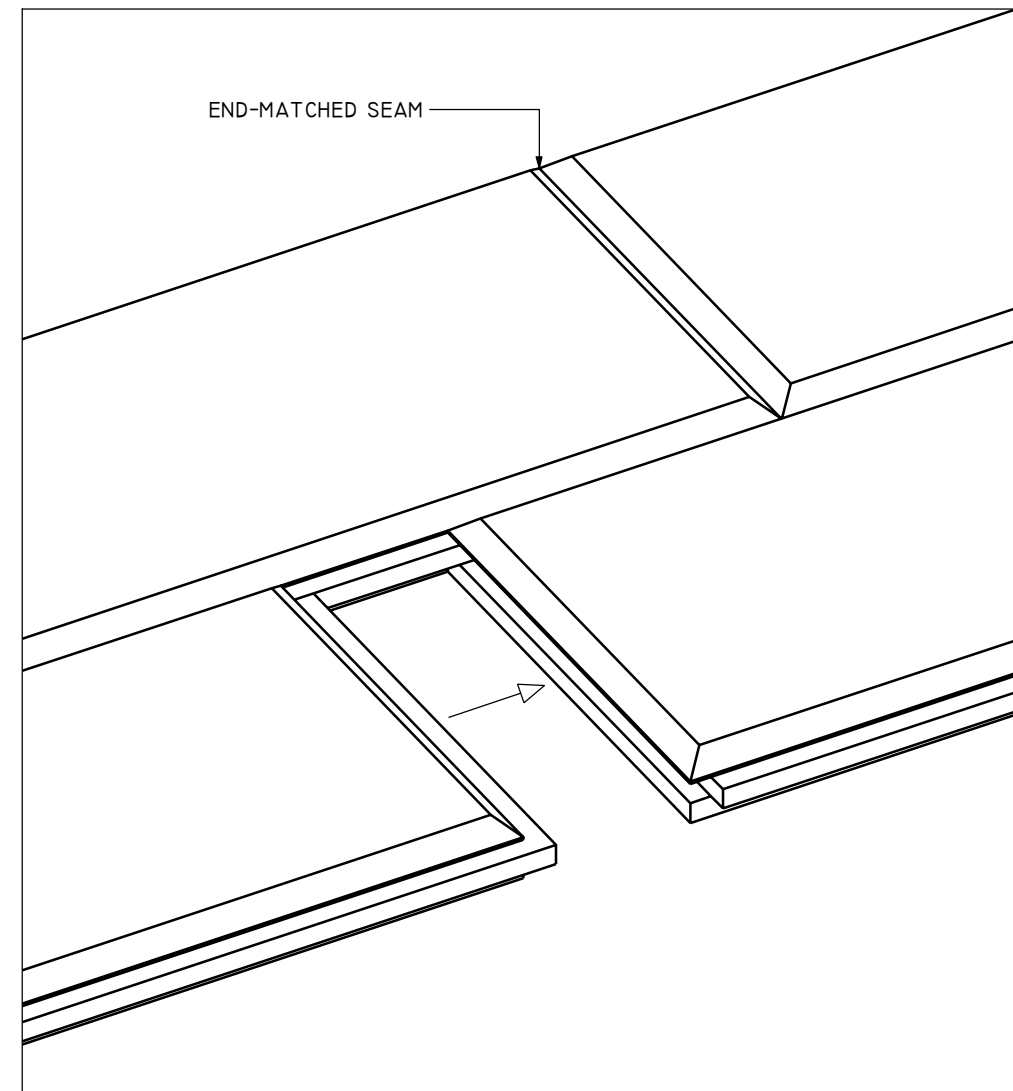


TONGUE & GROOVE

INSTALL TONGUE AND GROOVE TO RUN PERPENDICULAR TO RAFTERS



TONGUE AND GROOVE SECTION



SCALE: FULL

ALL DRAWINGS, SPECIFICATIONS, & RELATED DOCUMENTS ARE THE COPYRIGHT PROPERTY OF MID-ATLANTIC TIMBERFRAMES. THEY MUST BE RETURNED UPON REQUEST. REPRODUCTION OF THESE DOCUMENTS IN PART OR WHOLE IS FORBIDDEN WITHOUT THE WRITTEN CONSENT OF MID-ATLANTIC TIMBERFRAMES.
(C)2022 MID-ATLANTIC TIMBERFRAMES. ALL RIGHTS RESERVED.

DATE:

DESIGNER:

DRAFTER:



OFFICE: 717-275-0280

85 N KINZER ROAD
KINZERS, PA 17535
INFO@PRESTIGEWOODPRODUCTS.COM

SHEET:

JOB NO: